

- NOTES**
1. CAPACITORS MARKED I TO 1000 ARE IN ARE IN μ F UNLESS NOTED OTHERWISE.
 2. R INDICATES VALUE SELECTED IN P.
 3. ALL BATTERY SWITCHES VIEWED FROM I.
 4. HIGHEST RESISTOR - RES.
 5. HIGHEST CAPACITOR - CAP.
 6. ϕ = ANY OTHER.

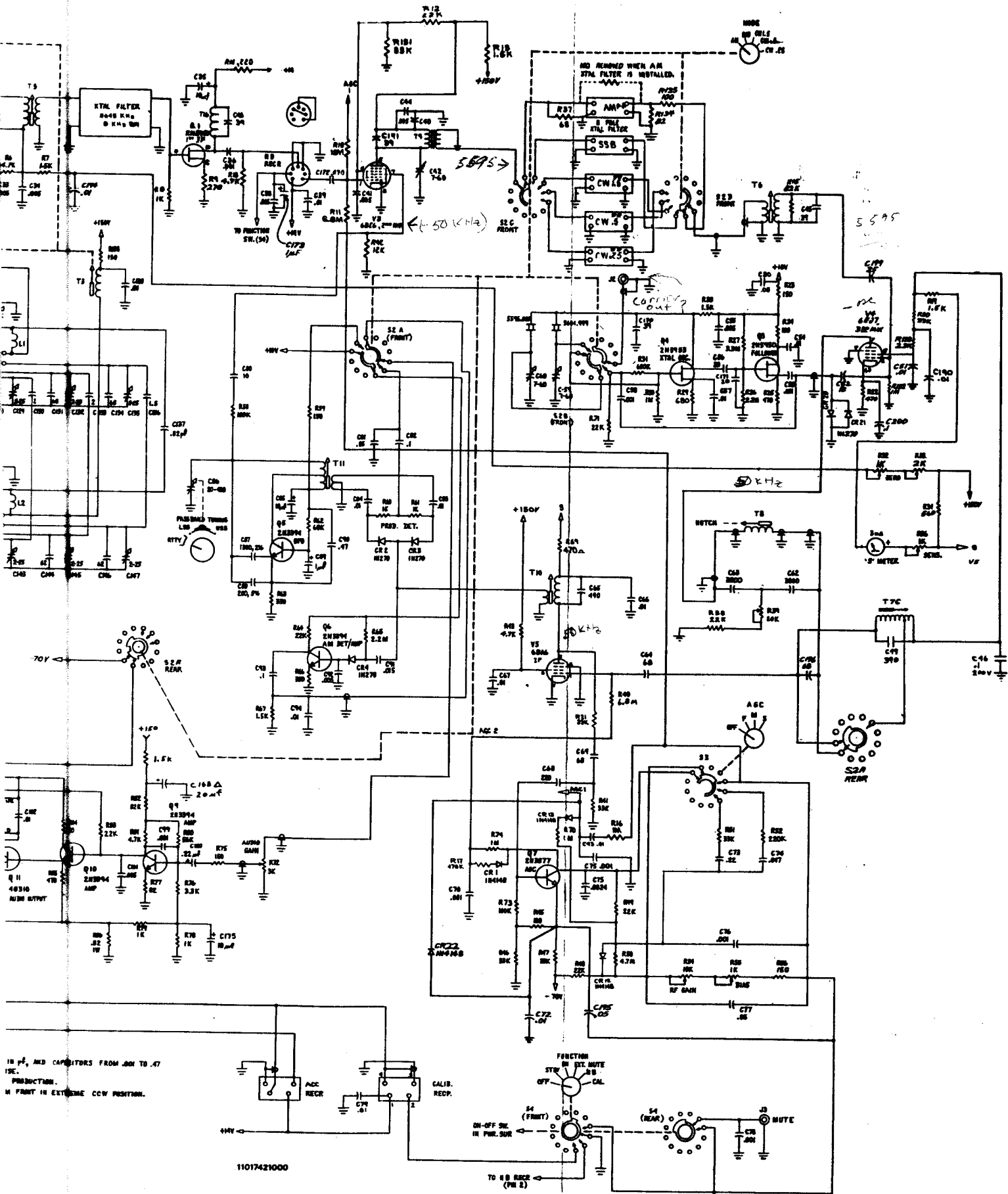


Figure 5-3. Schematic Diagram